

REVISIONS		
REV	DESCRIPTION	DATE
A	INITIAL RELEASE	2/9/98
		JLD

PLEASE NOTE:

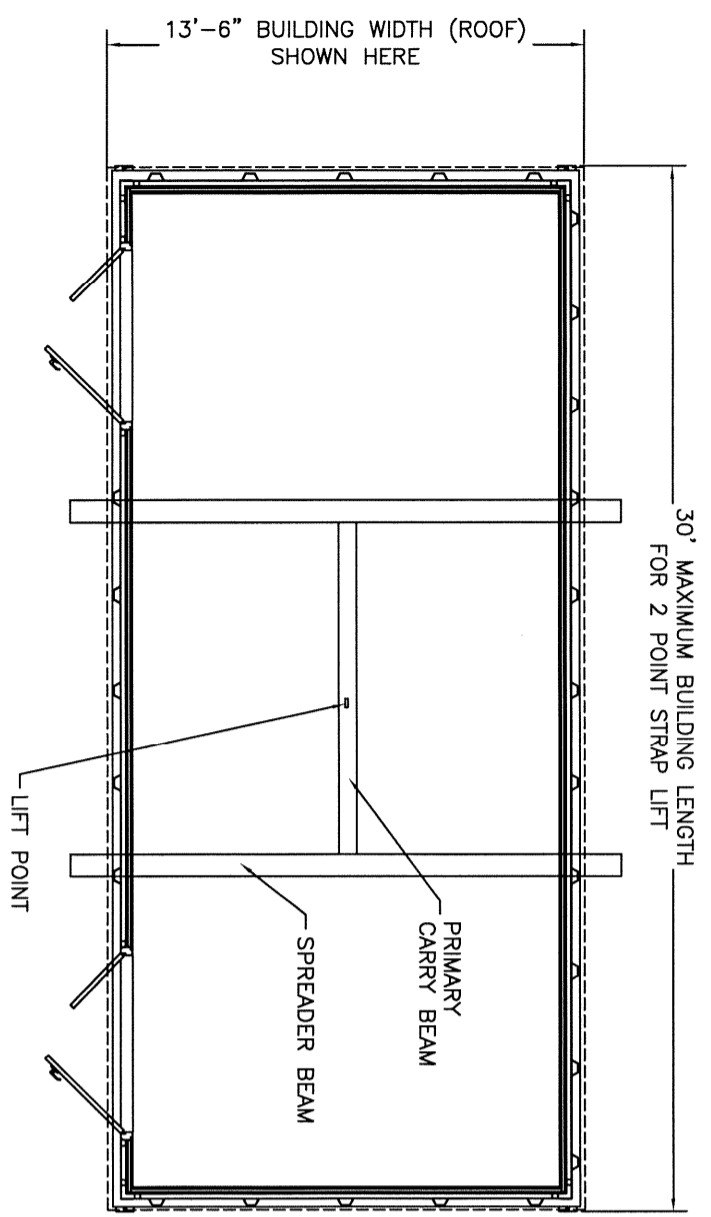
THE 2 STRAP LIFTING CONFIGURATION IS SHOWN FOR A MODEL 3014FS. THE MODEL 3014FS IS THE LARGEST BUILDING IN THE "FS" BUILDING SERIES THAT CAN BE LIFTED WITH 2 STRAPS AND IS SHOWN FOR REFERENCE ONLY.

LOCATE LIFT STRAPS FOR PROJECT SPECIFIC BUILDING FOR A BALANCED LIFT.

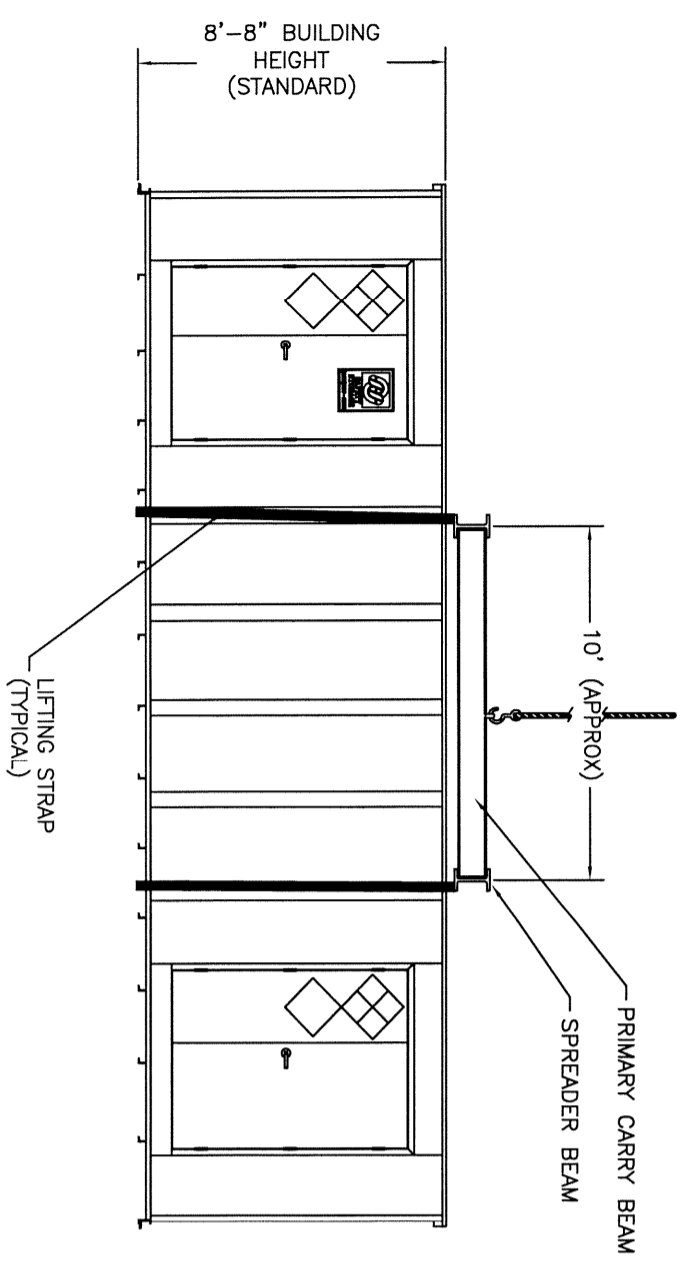
ELECTROCUTION HAZARD: CHECK OVERHEAD CLEARANCE BEFORE MOVING BUILDING. AREA MUST BE FREE OF OVER HEAD ELECTRICAL, PLUMBING OR OTHER POTENTIALLY DANGEROUS OBJECTS.

CRANE LIFTING INSTRUCTIONS:

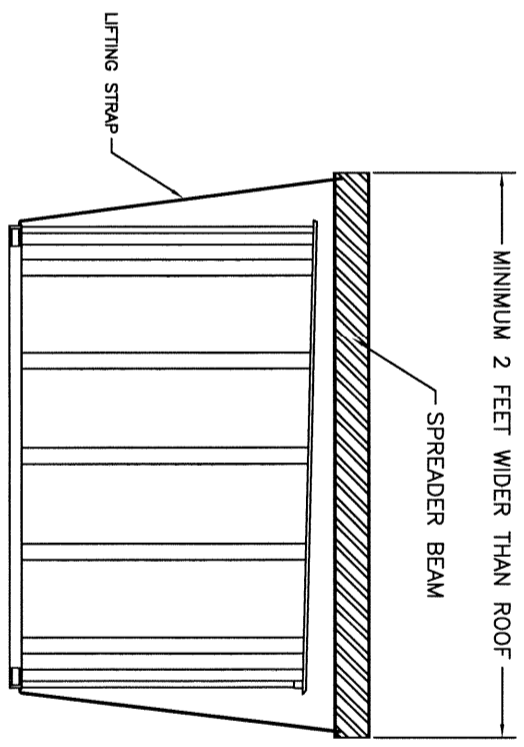
1. LIFT WITH CAPACITY APPROVED CABLE OR STRAPS.
2. USE SPREADER BARS A MIN. OF 2 FEET WIDER THAN BUILDING ROOF TO PREVENT DAMAGE TO FRONT AND REAR ROOF OVERHANGS.
3. KEEP ONE END OF THE BUILDING TETHERED AT ALL TIMES TO PREVENT BUILDING FROM SWINGING IN AN UNCONTROLLABLE MANNER.



PLAN VIEW



FRONT VIEW



RIGHT SIDE VIEW

UNLESS OTHERWISE SPECIFIED: ALL DIMENSIONS ARE IN INCHES ± 1"		APPROVALS	DATE	<p>SAFETY STORAGE 2301 BERT DRIVE HALLSTER, CA 95023 TEL: (408)537-7405 FAX: (408)537-7405</p>					
DATE	2/9/98	DRAWN BY: JLD							
CHECKED BY:		MFG:	SSI	<p>TWO (2) STRAP LIFT CONFIGURATION (MODEL 3014FS SHOWN)</p>					
DATE		NEXT ASSY:							
REV	A	SIZE	D	SCALE	1/32	FILE	2-PT-LIFT	SHEET	1 OF 1

COPYRIGHT © 1996 BY SAFETY STORAGE, INC.
ALL RIGHTS RESERVED
THESE DOCUMENTS ARE NOT TO BE REPRODUCED FOR ANY PURPOSE, IN WHOLE OR IN PART, WITHOUT WRITTEN PERMISSION FROM SAFETY STORAGE, INC.